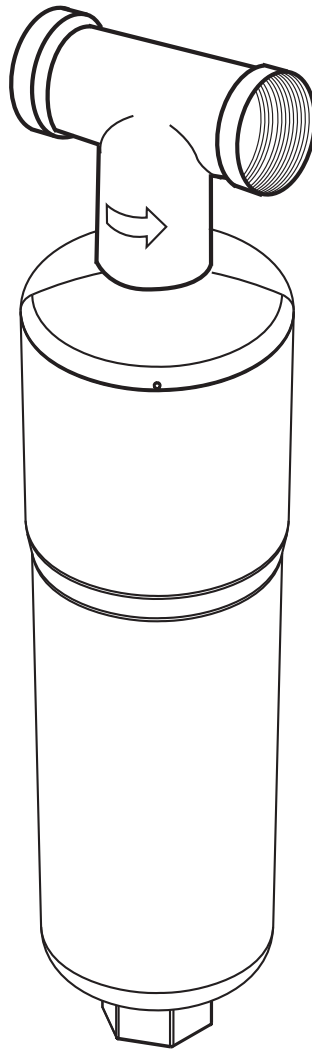


Aqua-Pure[®]

Installation and Operating Instructions For Scale Inhibition System Model AP430SS



**Installer: Please leave manual with homeowner.
Homeowner: Please retain for operation and
future maintenance instructions.**

3M


SAFETY INFORMATION

Read, understand, and follow all safety information contained in these instructions prior to installation and use of the Scale Inhibition System Model AP430SS. Retain these instructions for future reference.

Intended use:

The Scale Inhibition System Model AP430SS is intended for use in treatment of potable water and has not been evaluated for other uses. The product is installed at the point of entry (main distribution pipe) and must be installed as specified in the installation instruction by a qualified professional.

EXPLANATION OF SIGNAL WORD CONSEQUENCES

 WARNING	Indicates a potentially hazardous situation, which, if not avoided, could result in death or serious injury and/or property damage.
NOTICE	Indicates a potentially hazardous situation, which, if not avoided, may result in property damage.

WARNING

To reduce the risk associated with choking:

- Do not allow children under 3 years of age to have access to small parts during the installation of this product.

To reduce the risk associated with ingestion of contaminants:

- Do not use with water that is microbiologically unsafe or of unknown quality without adequate disinfection before or after the system.

To reduce the risk of physical injury:

- Depressurize system as shown in manual prior to cartridge removal.

NOTICE

To reduce the risk associated with property damage due to water leakage or flooding:

- **Read and follow** Use Instructions before installation and use of this system.
- Installation and use **MUST** comply with all state and local plumbing codes.
- **Protect from freezing**, remove filter cartridge when temperatures are expected to drop below 40°F (4.4°C).
- **Do not** install systems in areas where ambient temperatures may go above 110° F (43.3° C).
- **Do not install on hot water supply lines.** The maximum operating water temperature of this system is 100°F (37.8°C).
- **Do not** install if water pressure exceeds 125 psi (862 kPa). If your water pressure exceeds 80 psi (552 kPa), you must install a pressure limiting valve. Contact a plumbing professional if you are uncertain how to check your water pressure.
- **Do not install** where water hammer conditions may occur. If water hammer conditions exist you must install a water hammer arrester. Contact a plumbing professional if you are uncertain how to check for this condition.
- **Do not** use a torch or other high temperature sources near system, cartridges, plastic fittings or plastic plumbing.
- On plastic fittings, never use pipe sealant or pipe dope. Use PTFE thread tape **only**, pipe dope properties may deteriorate plastic.
- Take care when using pliers or pipe wrenches to tighten plastic fittings, as damage may occur if over tightening occurs.
- **Do not install** in direct sunlight or outdoors.
- Mount system in such a position as to prevent it from being struck by other items used in the area of installation.
- Ensure that the location and fasteners will support the weight of the system when installed and full of water.
- Ensure all tubing and fittings are secure and free of leaks.
- SHUT OFF FUEL OR ELECTRIC POWER SUPPLY TO WATER HEATER after water is shut off.

NOTICE

- Where a backflow prevention device is installed on a water system, a device for controlling pressure due to thermal expansion must be installed. Contact a plumbing professional if you are uncertain how to select/install/maintain a thermal expansion device.
- Where a booster pump is installed on a water system, you must maintain and inspect the attached pressure switch regularly in accordance with the booster pump manufacturer's instructions. Contact a plumbing professional if you are uncertain how to maintain your booster pump system.
- Where a booster pump is installed on a water system, you must install an appropriate pressure relief valve. Pressure relief valve must be maintained and inspected every 6 months. Contact a plumbing professional if you are uncertain how select/install/maintain a pressure relief valve.
- Where a booster pump is installed on a water system, you must install an appropriate pressure regulating valve and regulate water pressure to <80psi. Contact a plumbing professional if you are uncertain how select/install/maintain a pressure regulating valve.

To reduce the risk of water leakage of flooding, and to ensure optimal filter performance:

- **Change the disposable filter cartridge every 6 months** or sooner if you observe a noticeable reduction in water flow rate.
- Failure to replace the disposable filter cartridge at recommended intervals may lead to reduced filter performance and cracks in the filter housing, causing water leakage or flooding.
- For questions or concerns, please contact Customer Service at 1-800-222-7880.

IMPORTANT NOTES

- Failure to follow instructions will void warranty.
- Allow a minimum of 2" (5.1 cm) clear space under filter to facilitate cartridge change.
- Install with the inlet and outlet ports as labeled. Make sure not to reverse connections.

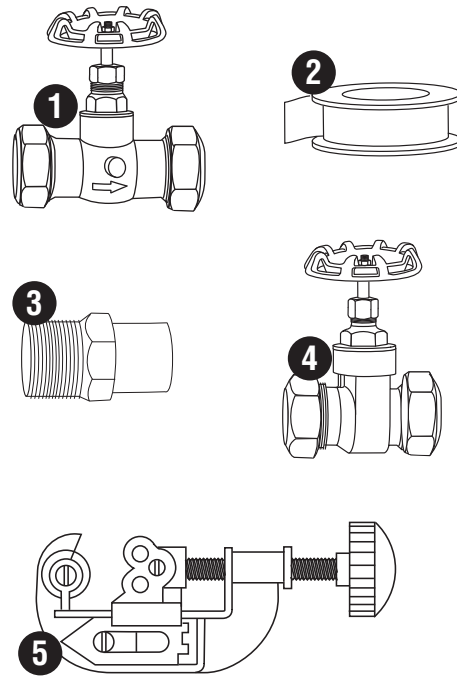
GETTING STARTED

Tools and Parts Required (not included):

- 1) One 3/4" Stop & Waste Valve (Compression Type)
- 2) PTFE Tape
- 3) Two 3/4" Male x 3/4" Street Adapters
- 4) One 3/4" Compression Gate Valve
- 5) Pipe Cutter

Identify all parts as shown in diagram. Read all instructions carefully before attempting to start installation. The existing shut-off valve remains in place and still acts as the cold water shut-off.

This filter system has 3/4" connections. The AP430SS can be adapted to various pipe sizes by using reducing adapter on either end. Installation fittings can be sweated or threaded. Use galvanized fittings for installation on galvanized pipe.



IMPORTANT NOTES

- Allow a minimum of 2" (5.1 cm) clear space under filter to facilitate cartridge change.

IMPORTANT INSTALLATION INSTRUCTIONS

Before starting, shut off main water supply and drain pipes.

Shut off fuel or electric power supply to water heater after water is shut off.

1. Using PTFE tape, wrap the threaded ends of the adapters and screw into both ends of the cartridge head. **Do not** use pipe sealant/dope as they may contain solvents that may deteriorate fittings. (Figure 1)
Position the flow direction arrow on the filter head for proper orientation. The arrow on the filter head should be pointing toward the water heater.
2. Loosely fit compression fittings onto the cartridge head with adapters. Holding the cartridge head with attached adapters up to the pipe, mark for length of pipe to be removed. Using a pipe cutter, cut pipe. (Figure 2)
3. Using the valve compression fitting, attach the stop and waste valve on pipe (before the system on the cold water side) to the water heater, with indicator arrow pointing towards the AP430SS assembly, so that drain nut can be accessed to release pressure when changing cartridge. Be sure the drain nut is firmly tightened. (Figure 3)

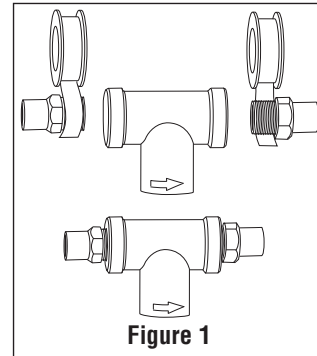


Figure 1

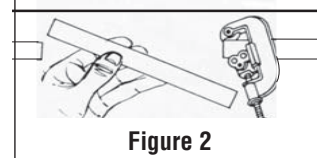
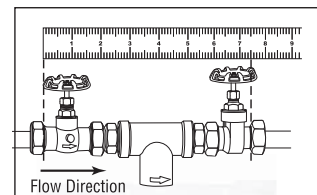


Figure 2

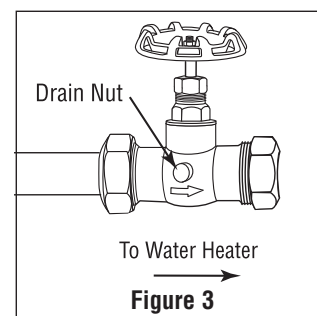


Figure 3

NOTICE

To reduce the risk associated with property damage due to water leakage or flooding:

- **Do not install on hot water supply lines.** The maximum operating water temperature of this filter system is 100°F (37.8°C).
- Installation and Use **MUST** comply with all state and local plumbing codes.
- On plastic fittings, never use pipe sealant or pipe dope. Use PTFE thread tape **only**, pipe dope properties may deteriorate plastic.
- **Do not** use a torch or other high temperature sources near filter system, cartridges, plastic fittings or plastic plumbing.
- Ensure that the location and fasteners will support the weight of the system.
- Ensure all tubing and fittings are secure and free of leaks.
- **SHUT OFF FUEL OR ELECTRIC POWER SUPPLY TO WATER HEATER** after water is shut off.

IMPORTANT INSTALLATION INSTRUCTIONS (Continued)

- Using the valve compression fitting, attach the gate valve to the incoming water supply pipe after the system. Firmly tighten compression nut. (Figure 4)

IMPORTANT NOTES

It may be necessary to slightly spread pipe ends apart in order to insert the AP430SS head assembly with adapters into valve. (Figure 4)

- Tighten all compression nuts firmly, keeping the AP430SS head assembly vertical. (Figure 5)
- Screw cartridge to the right into the AP430SS filter head. Turn on main water supply, open valves and check for leaks. (Figure 6)

IMPORTANT NOTES

Optional: By-Pass Section can be installed around unit if desired using either threaded or sweated fitting. (Figure 7)

NOTICE

To reduce the risk associated with property damage due to water leakage or flooding:

- **Protect from freezing**, remove cartridge when temperatures are expected to drop below 40°F (4.4°C).
- Ensure all tubing and fittings are secure and free of leaks.
- **Do not install** if water pressure exceeds 125 psi (862 kPa). If your water pressure exceeds 80 psi (552 kPa), you must install a pressure limiting valve. Contact a plumbing professional if you are uncertain how to check your water pressure.
- **Do not install** where water hammer conditions may occur. If water hammer conditions exist you must install a water hammer arrester. Contact a plumbing professional if you are uncertain how to check for this condition.

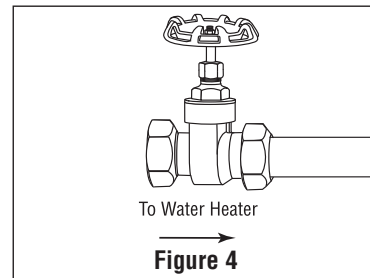


Figure 4

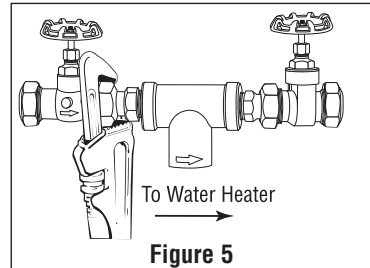


Figure 5

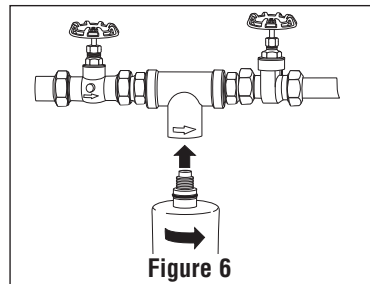


Figure 6

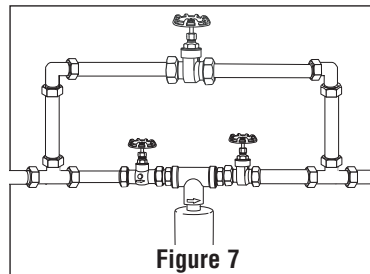


Figure 7

CARTRIDGE REPLACEMENT INSTRUCTIONS

NOTICE

To reduce the risk of water leakage of flooding, and to ensure optimal filter performance:

- **Change disposable filter cartridge every 6 months** or sooner if you observe a noticeable reduction in water flow rate.
- Failure to replace the disposable filter cartridge at recommended intervals may lead to reduced filter performance and cracks in the filter housing, causing water leakage or flooding.

Always have spare cartridges on hand.

- Shut off inlet (Stop and Waste) and outlet (Compression Gate) valves. Open drain on inlet valve, to relieve pressure in the AP430SS.
- Unscrew the cartridge (AP431) to the left as shown in the illustration. (Figure 8)
- Install the new cartridge, moderately hand tight. Never use tools to tighten a cartridge.
- Turn on inlet valve and bleed air through gate valve drain until water appears. Then close drain, and open outlet valve.

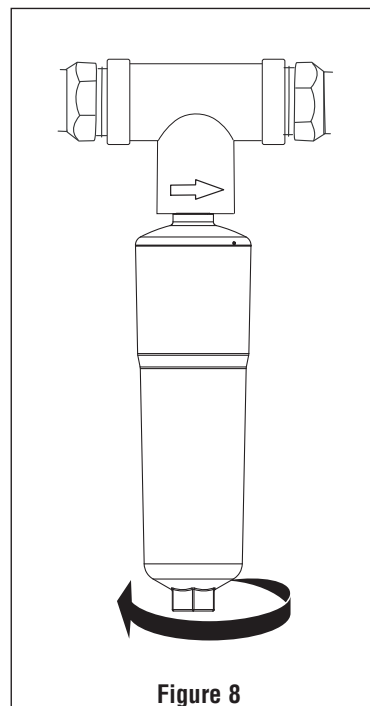
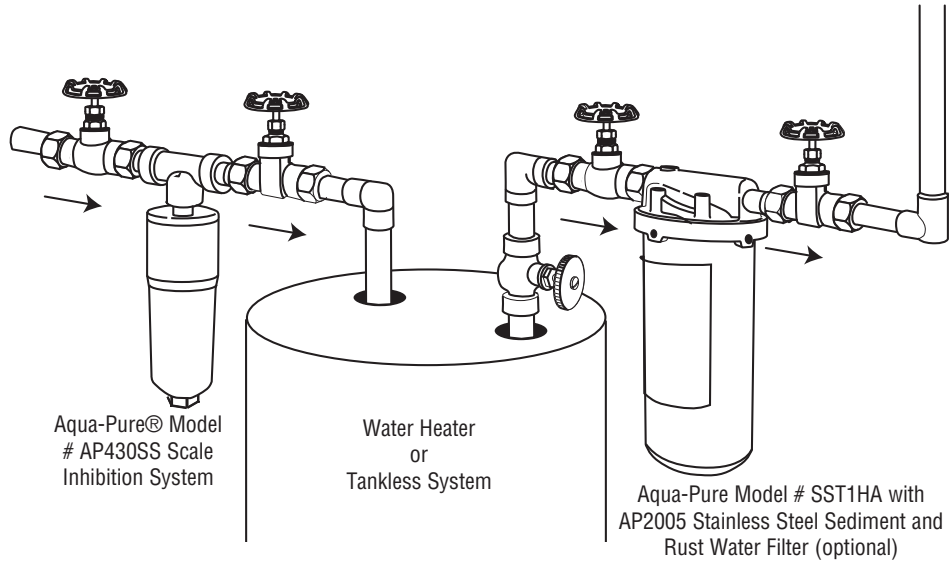


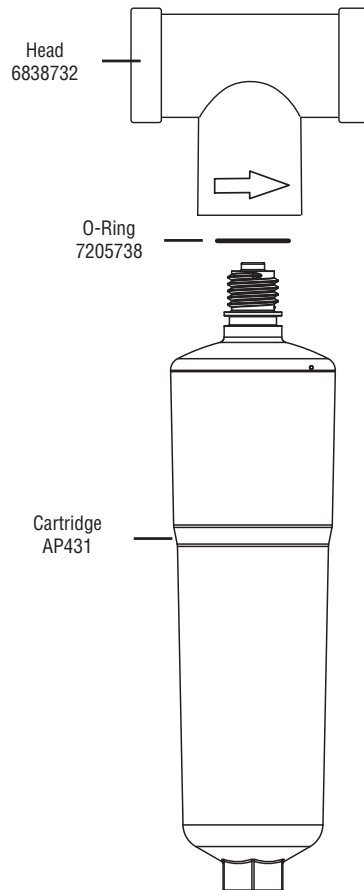
Figure 8

IMPORTANT NOTES

If you are installing this AP430SS Scale Inhibition System on the cold water line feeding a water heater which already has a build-up of scale, you may have loosened scale which could go downstream to clog valve and aerators. In this case, a Stainless Steel Hot Water Sediment and Rust Filter should be installed on the hot water side of the heater to help trap and contain this scale.



REPLACEMENT PARTS



LIMITED WARRANTY

Limited Warranty 3M Purification Inc. warrants the stainless steel head (excluding disposable cartridge(s)) to be free from defects in material and workmanship for twenty-five (25) years from the date of purchase. The disposable cartridge is warranted from defects in material and workmanship for a period of one (1) year from the date of purchase. This warranty does not cover failures resulting from abuse, misuse, alteration or damage not caused by 3M Purification Inc. or failure to follow installation and use instructions. No warranty is given as to the service life of any cartridge as it will vary with local water conditions and water consumption. **3M PURIFICATION INC. MAKES NO OTHER WARRANTIES OR CONDITIONS, EXPRESS OR IMPLIED, INCLUDING, BUT NOT LIMITED TO, ANY IMPLIED WARRANTY OR CONDITION OF MERCHANTABILITY OR FITNESS FOR A PARTICULAR PURPOSE OR ANY IMPLIED WARRANTY OR CONDITION ARISING OUT OF A COURSE OF DEALING, CUSTOMER OR USAGE OF TRADE.** If the Product fails to satisfy this Limited Warranty during the warranty period, 3M Purification Inc. will replace the Product or refund your Product purchase price. This warranty does not cover labor. **The remedy stated in this paragraph is Customer's sole remedy and 3M Purification Inc.'s exclusive obligation.**

This warranty gives you specific legal rights, and you may have other rights which may vary from state to state, or country to country. For any warranty questions, please call 1-800-222-7880 or mail your request to: Warranty Claims, 3M Purification Inc., 400 Research Parkway, Meriden, CT 06450. Proof of purchase (original sales receipt) must accompany the warranty claim, along with a complete description of the Product, model number and alleged defect.

Limitation of Liability. 3M Purification Inc. will not be liable for any loss or damage arising from this 3M Purification Inc. product, whether direct, indirect, special, incidental, or consequential, regardless of the legal theory asserted, including warranty, contract, negligence or strict liability. Some states and countries do not allow the exclusion or limitation of incidental or consequential damages, so the above limitation or exclusion may not apply to you.


INFORMACIÓN DE SEGURIDAD

Lea, entienda y siga toda la información de seguridad incluida en estas instrucciones antes de instalar y utilizar este sistema inhibidor de escala AP430SS. Guarde estas instrucciones para futuras consultas.

Uso previsto:

El sistema inhibidor de escala AP430SS está diseñado para utilizarse para el tratamiento de agua potable y no se ha evaluado para otros usos. El producto se instala en el punto de entrada (tubería de distribución principal) y debe ser instalado por un profesional debidamente calificado según lo especificado en las instrucciones de instalación.

EXPLICACIÓN DE LAS CONSECUENCIAS DE PALABRAS/SÍMBOLOS DE ADVERTENCIA

 ADVERTENCIA	Indica una situación potencialmente peligrosa que, si no se evita, puede provocar la muerte, lesiones graves o daños a la propiedad.
AVISO	Indica una situación potencialmente peligrosa que, si no se evita, puede provocar daños a la propiedad.

ADVERTENCIA

Para reducir el riesgo asociado con asfixia:

- No deje las piezas pequeñas al alcance de niños menores de 3 años mientras instala el producto.

Para reducir el riesgo asociado con la ingestión de contaminantes:

- No utilice el producto con agua microbiológicamente insegura o de calidad desconocida sin desinfectar adecuadamente el sistema antes o después.

Para reducir el riesgo de lesiones físicas:

- Cierre el suministro de agua de entrada y despresurice el sistema según se indica en el manual antes de quitar el cartucho.

AVISO

Para reducir el riesgo asociado con los daños materiales debidos a pérdidas de agua o inundaciones:

- **Lea y siga las** Instrucciones de uso antes de la instalación y uso de este sistema.
- La instalación y uso **DEBE** cumplir con todos los códigos de plomería locales y estatales.
- **Protección contra congelamiento**, quite el cartucho del filtro cuando se espera que las temperaturas estén por debajo de los 40°F (4.4°C).
- **No instale** sistemas en áreas donde la temperatura ambiental puede estar por encima de los 110° F (43.3° C).
- **No instale sobre tuberías de suministro de agua.** La máxima temperatura del agua para el correcto funcionamiento de este sistema de filtro es 100°F (37.8°C).
- **No instale** si la presión de agua excede los 125 psi (862 kPa). Si su presión de agua excede los 80 psi (552 kPa), puede instalar una válvula de presión. Póngase en contacto con un plomero profesional si no está seguro sobre cómo medir su presión de agua.
- **No instale** en lugares en donde pueda ocurrir un martilleo de agua. Si existe martilleo de agua, debe instalar un protector contra martilleo de agua. Póngase en contacto con un plomero profesional si no está seguro sobre cómo verificar si existe este problema.
- En lugares en los que hay una válvula de contraflujo instalada en el sistema de agua, se debe instalar una válvula para control de presión debido a la dilatación térmica.
- **No use** soplete ni otra fuente de alta temperatura cerca del sistema de filtros, cartuchos o acoples y tuberías de plástico.
- En los acoples plásticos, nunca utilice sellador o pegamento para tuberías. **Sólo** utilice cinta de PTFE, las propiedades del pegamento pueden destruir el plástico.
- Tenga cuidado al usar pinzas o llaves inglesas para ajustar los acoples de plástico; puede dañarse si se aprieta demasiado.
- **No instale** donde le dé el sol directamente o en exteriores.
- Instale sistema en una posición tal que se evite ser golpeado por otros objetos usados en el área de instalación.
- Asegúrese de que el lugar y las fijaciones aguantarán el peso del sistema cuando esté instalado y lleno de agua.
- Vea de que todas las tuberías y acoples estén seguros y sin fugas.
- **CIERRE EL SUMINISTRO DE COMBUSTIBLE O DE ENERGÍA ELÉCTRICA PARA EL CALENTADOR DE AGUA** después de cerrar el suministro de agua.

AVISO

- Si un sistema de agua tiene instalado un dispositivo para evitar el contraflujo, se debe instalar un dispositivo para controlar la presión ocasionada por la dilatación térmica. Comuníquese con un plomero profesional si tiene dudas acerca de cómo seleccionar/instalar/mantener un dispositivo de expansión térmica.
- En el lugar donde esté instalada la bomba de carga del sistema de agua, debe mantener e inspeccionar el interruptor de presión conectado con frecuencia según las instrucciones del fabricante de la bomba de carga. Comuníquese con un plomero profesional si tiene dudas acerca de cómo mantener su sistema de bomba de carga.
- Donde esté instalada la bomba de carga en el sistema de agua, debe instalar una válvula de alivio de presión adecuada. La válvula de alivio de presión debe mantenerse e inspeccionarse cada 6 meses. Comuníquese con un plomero profesional si tiene dudas acerca de cómo seleccionar/instalar/mantener una válvula de alivio de presión.
- Donde esté instalada la bomba de carga en el sistema de agua, debe instalar una válvula reguladora de presión adecuada y regular la presión de agua a < 80 psi. Comuníquese con un plomero profesional si tiene dudas acerca de cómo seleccionar/instalar/mantener una válvula reguladora de presión.

Para reducir el riesgo de fuga de agua o inundación, y para garantizar un rendimiento óptimo del filtro:

- **Cambie el cartucho de filtro desechable cada seis (6) meses** o menos si observa una reducción considerable del caudal de agua.
- Si no reemplaza el cartucho de filtro desechable durante los intervalos recomendados, puede disminuir el rendimiento del filtro y provocar grietas en la carcasa del filtro, lo que generaría fugas de agua o inundación.
- Si tiene preguntas o inquietudes, comuníquese con Atención al cliente llamando al 1-800-222-7880.

NOTAS IMPORTANTES

- El incumplimiento de las instrucciones puede anular la garantía.
- Deje un espacio mínimo de 2" (5,1 cm) debajo del filtro para facilitar el cambio de cartucho.
- Instale con los puertos de entrada y de salida tal como se indica en las etiquetas. Asegúrese de no invertir las conexiones.

INTRODUCCIÓN

Herramientas y piezas requeridas (no incluidas):

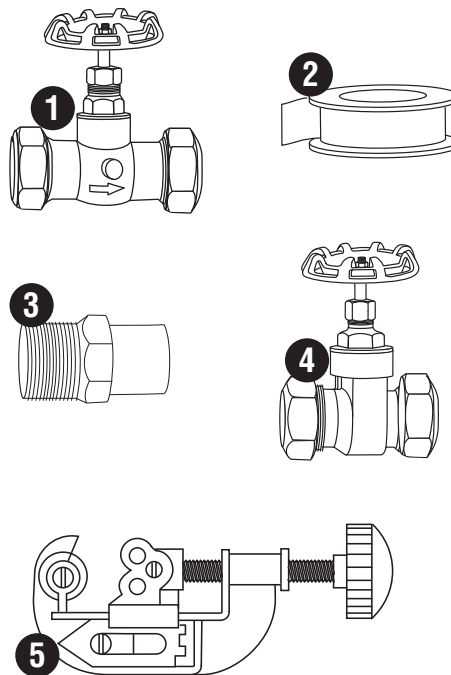
- 1) Una válvula de cierre y descarga (tipo de compresión) de 3/4" (1,9 cm)
- 2) Cinta de PTFE
- 3) Dos adaptadores con rosca de 3/4" (1,9 cm) macho x 3/4" (1,9 cm)
- 4) Una válvula de compuerta de compresión de 3/4" (1,9 cm)
- 5) Cortatubos

Identifique todas las piezas como se indica en el diagrama. Lea cuidadosamente todas las instrucciones antes de comenzar la instalación. La válvula de cierre existente se mantiene en su lugar y funciona a medida que el paso de agua fría se cierra.

Este filtro tiene conexiones de 3/4" (1,9 cm). El sistema AP430SS puede adaptarse a varias medidas de tubos colocando un adaptador reductor en cualquier extremo. Los accesorios de instalación se pueden soldar o enroscar. Utilice accesorios galvanizados para las instalaciones de tubos galvanizados.

NOTAS IMPORTANTES

- Deje un espacio mínimo de 2" (5,1 cm) debajo del filtro para facilitar el cambio de cartucho.



IMPORTANTES INSTRUCCIONES DE INSTALACIÓN

Antes de comenzar, cierre el suministro de agua principal y las tuberías de desagüe.

Corte el suministro eléctrico o a combustión del calentador de agua después de interrumpir el suministro de agua.

1. Utilice la cinta de PTFE para envolver los extremos roscados de los adaptadores y enrosque ambos extremos de la cabeza del cartucho. **No** utilice ningún sellador de roscas ni grasa para roscas ya que pueden contener solventes que pueden deteriorar los accesorios. (Figura 1)
Posicione la flecha de dirección de flujo en la cabeza del filtro para lograr una orientación adecuada. La flecha en la cabeza del filtro debe apuntar hacia el calentador de agua.
2. Calce los accesorios de compresión con los adaptadores en la cabeza del cartucho sin ajustarlos demasiado. Marque el largo del tubo que debe retirar acercando a la tubería la cabeza del cartucho con los adaptadores conectados. Utilice un cortador de tubos para reducir el largo de la tubería. (Figura 2)
3. Mediante el conector a compresión de la válvula, instale la válvula de cierre y descarga en la tubería (antes del sistema en la tubería de agua fría) que va hacia el calentador de agua. La flecha indicadora debe estar orientada hacia el conjunto del sistema AP430SS de modo que permita un fácil acceso a la tuerca de vaciado para aliviar la presión cuando se realice un cambio del cartucho.

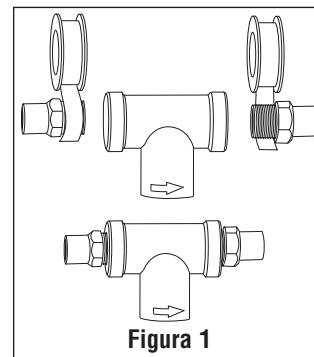


Figura 1

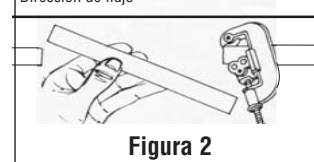
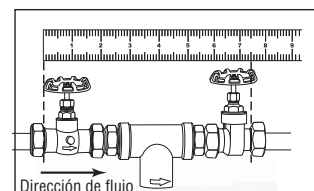


Figura 2

AVISO

Para reducir el riesgo asociado con los daños materiales debidos a pérdidas de agua o inundaciones:

- **No lo instale en tuberías de suministro de agua caliente.** Para que el producto funcione, la temperatura máxima del agua del sistema de filtrado debe ser 100 °F (37,8 °C).
- La instalación y la utilización **DEBEN** cumplir con todas las normas de plomería estatales y locales.
- No utilice sellador de roscas ni grasa para roscas en accesorios plásticos. Utilice **únicamente** cinta para roscas de PTFE. Las propiedades de la grasa para roscas pueden deteriorar el plástico.
- **No** utilice linternas ni otras fuentes de calor cerca del sistema de filtrado, accesorios o piezas plásticas de plomería ni cartuchos.
- Asegúrese de que el lugar y los sujetadores soporten el peso del sistema.
- Asegúrese de que todos los tubos y accesorios estén fijos y no tengan pérdidas.
- **CORTE EL SUMINISTRO ELÉCTRICO O A COMBUSTIÓN DEL CALENTADOR DE AGUA DESPUÉS DE INTERRUMPIR EL SUMINISTRO DE AGUA.**

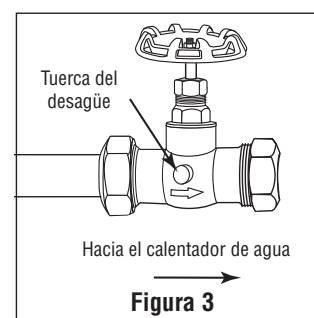


Figura 3

IMPORTANTES INSTRUCCIONES DE INSTALACIÓN (Continuación)

- Mediante el conector a compresión de la válvula, conecte la válvula de compuerta al tubo de entrada de suministro de agua posterior al sistema. Ajuste firmemente la tuerca de compresión. (Figura 4)

NOTAS IMPORTANTES

Puede surgir la necesidad de separar un poco los extremos de los tubos para insertar el ensamblaje de la cabeza AP430SS con adaptadores en la válvula.

- Ajuste firmemente todas las tuercas de compresión manteniendo el ensamblaje de la cabeza AP430SS en posición vertical. (Figura 5)
- Gire el cartucho hacia la derecha para enroscarlo en la cabeza del filtro AP430SS. Abra el suministro de agua principal, abra las válvulas y verifique si hay pérdidas. (Figura 6)

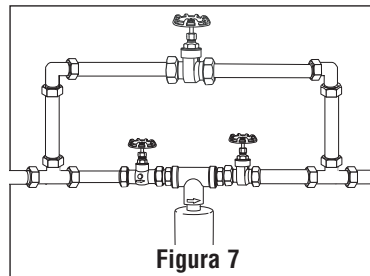
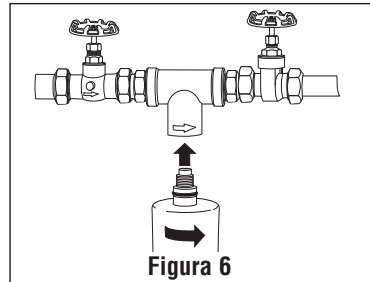
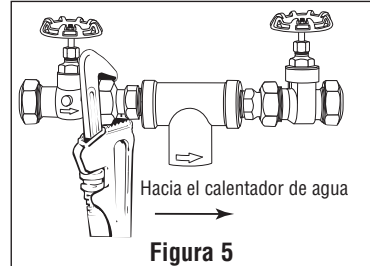
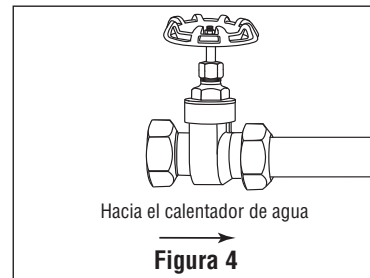
NOTAS IMPORTANTES

Si lo desea, puede instalar la sección de desvío alrededor de la unidad enroscando o soldando un accesorio. (Figura 7)

AVISO

Para reducir el riesgo asociado con los daños materiales debidos a pérdidas de agua o inundaciones:

- Evite el congelamiento, quite el cartucho del filtro cuando las temperaturas puedan ser inferiores a 40 °F (4,4 °C).
- Asegúrese de que todos los tubos y accesorios estén fijos y no tengan pérdidas.
- No instale si la presión del agua excede las 125 psi (862 kPa). Si la presión del agua excede las 80 psi (552 kPa), deberá instalar una válvula de límite de presión. Contacte a un plomero profesional si no está seguro de cómo verificar la presión del agua.
- No instale en lugares donde se pueda producir un golpe de ariete. Si existe la posibilidad de un golpe de ariete, instale una válvula de rosca. Contacte a un plomero profesional si no sabe cómo verificar esta condición.



INSTRUCCIONES PARA CAMBIAR EL CARTUCHO DEL FILTRO

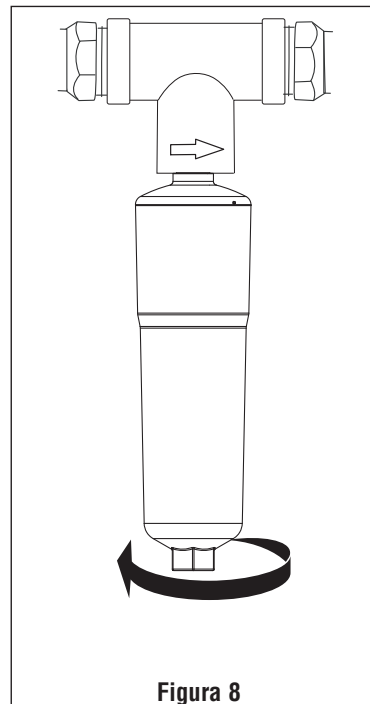
AVISO

Para reducir el riesgo de fuga de agua o inundación, y para garantizar un rendimiento óptimo del filtro:

- El cartucho desechable debe reemplazarse cada seis meses o antes.
- Si no reemplaza el cartucho de filtro desechable durante los intervalos recomendados, puede disminuir el rendimiento del filtro y provocar grietas en la carcasa del filtro, lo que generaría fugas de agua o inundación.

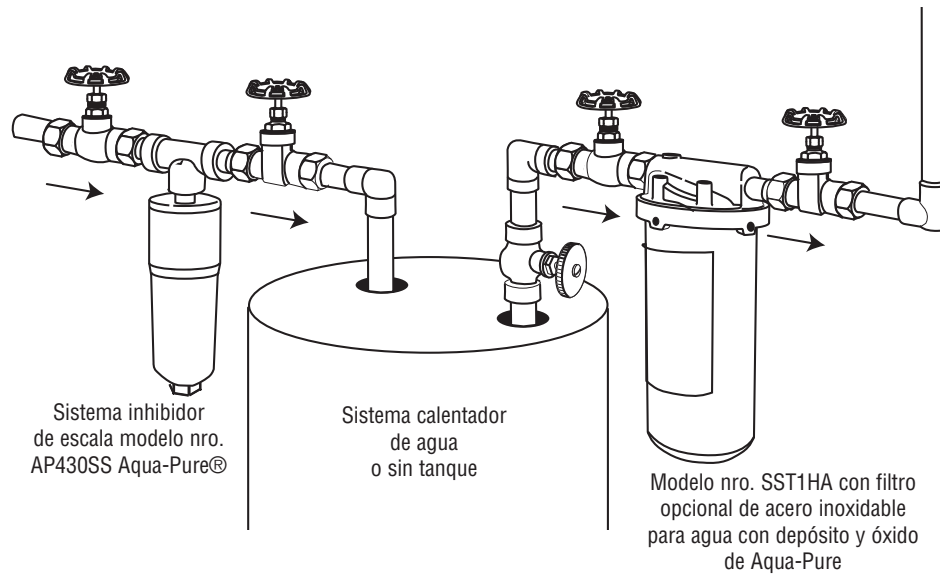
Tenga siempre cartuchos de reserva disponibles.

- Cierre las válvulas de entrada (cierre y descarga) y salida (de compuerta para compresión). Abra la válvula de vaciado en la válvula de entrada para aliviar la presión en el AP430SS.
- Para retirar el cartucho (AP431), gírelo hacia la izquierda según se indica la ilustración. (Figura 8)
- Instale el nuevo cartucho, ajústelo con la mano ejerciendo la presión adecuada. No utilice herramientas para ajustar un cartucho.
- Abra la válvula de entrada y purgue el aire a través del desagüe de la válvula de compuerta hasta que salga agua. Luego, cierre el desagüe y abra la válvula de salida.



NOTAS IMPORTANTES

Si está instalando este sistema inhibidor de escala AP430SS en la tubería de agua fría que alimenta a un calentador de agua que ya tiene una acumulación de escala, es posible que haya aflojado la escala que podría ir hacia abajo y atascar la válvula y los aireadores. En este caso, se debe instalar un filtro y un depósito para agua caliente de acero inoxidable del lado del agua caliente del calentador para retener y contener esta escala.



PIEZAS DE REPUESTO



GARANTÍA LIMITADA

La garantía limitada de 3M Purification Inc. garantiza que el cabezal de acero inoxidable (excepto el o los cartuchos de filtro descartables) estará libre de defectos de materiales y fabricación durante veinticinco (25) años a partir de la fecha de compra. El cartucho de filtro descartable posee garantía contra defectos de materiales y fabricación por el período de un (1) año a partir de la fecha de compra. Esta garantía no cubre las fallas debido al abuso, uso indebido, modificación o daño del producto que no hayan sido ocasionadas por 3M Purification Inc. o que se hayan producido por el incumplimiento de las instrucciones de uso e instalación. No se garantiza la vida útil de ningún cartucho o membrana de filtro, ya que esta varía según las condiciones locales del agua y el consumo de agua. **3M PURIFICATION INC. NO OTORGA NINGUNA OTRA GARANTÍA NI CONDICIÓN, YA SEA EXPRESA O IMPLÍCITA, INCLUIDA, DE MANERA ENUNCIATIVA, MAS NO LIMITATIVA, CUALQUIER GARANTÍA O CONDICIÓN IMPLÍCITA DE COMERCIALIZACIÓN O IDONEIDAD PARA UN FIN EN PARTICULAR O CUALQUIER GARANTÍA O CONDICIÓN IMPLÍCITA DERIVADA DE NEGOCIACIONES, COSTUMBRES O PRÁCTICAS DE COMERCIO.** Si el Producto no cumple con esta garantía limitada durante el período de garantía, 3M Purification Inc. sustituirá el Producto o le reembolsará el precio de compra del Producto. Esta garantía no cubre mano de obra. **El recurso mencionado en este párrafo será el único recurso del Cliente y la única obligación de 3M.**

Esta garantía le otorga derechos legales específicos, y es posible que usted tenga derechos adicionales que pueden variar según el estado o el país. Para realizar consultas relacionadas con la garantía, llame al 1-877-238-9119 o envíe su petición por correo a: Warranty Claims, 3M Purification Inc., 400 Research Parkway, Meriden, CT 06450. La reclamación de garantía debe ir acompañada del comprobante de compra (el recibo de venta original) y de una descripción detallada del Producto, el número de modelo y el presunto defecto.

Limitación de responsabilidad. 3M Purification Inc. no será responsable de las pérdidas o daños derivados del uso de este producto de 3M Purification Inc., ya sea en forma directa, indirecta, especial, incidental o resultante, independientemente de la teoría legal que se aplique, incluida la garantía, contrato, negligencia o responsabilidad estricta. Algunos estados o países no permiten la exclusión de limitación de los daños incidentales o resultantes, de manera que la limitación o exclusión anterior puede no aplicarse en su caso.


CONSIGNES DE SÉCURITÉ

Avant d'installer et d'utiliser ce système inhibiteur d'entartrage AP430SS, s'assurer de lire, comprendre et suivre toutes les consignes de sécurité que renferme ce mode d'emploi. Conserver ce mode d'emploi pour consultation future.

Utilisation du produit :

Ce système inhibiteur d'entartrage AP430SS est conçu pour le traitement de l'eau potable et n'a pas été testé à d'autres fins. Le produit est installé sur le site d'entrée (conduite de distribution principale) et doit être installé conformément aux instructions par un professionnel qualifié.

EXPLICATION DES CONSÉQUENCES LIÉES AUX MOTS INDICATEURS

 MISE EN GARDE	Indique une situation potentiellement dangereuse qui, si elle n'est pas évitée, pourrait entraîner la mort, des blessures graves et des dégâts matériels.
AVIS	Indique une situation potentiellement dangereuse qui, si elle n'est pas évitée, pourrait occasionner des dégâts matériels.

MISE EN GARDE

Afin de réduire les dangers d'étouffement :

- **Ne pas** permettre aux enfants de moins de 3 ans d'avoir accès aux petites pièces durant l'installation de ce produit.

Pour réduire les risques associés à l'ingestion de contaminants :

- **Ne pas** utiliser avec de l'eau qui n'est pas sûre au point de vue microbiologique ou de qualité incertaine sans assurer une désinfection adéquate avant ou après le système.

Afin de réduire les risques de blessures :

- Couper l'alimentation en eau et dépressuriser le système, tel qu'illustré dans le manuel, avant de retirer la cartouche.

AVIS

Afin de réduire les risques de dégâts matériels résultant d'une fuite d'eau ou d'une inondation:

- **Lire et suivre** le mode d'emploi avant l'installation et l'utilisation de ce système.
- L'installation et l'utilisation **DOIVENT** être conformes aux codes de plomberie provinciaux et locaux.
- **Pour une protection contre le gel**, retirer la cartouche filtrante lorsque les températures chutent sous 4,4 °C (40 °F).
- **Ne pas** installer les systèmes dans des zones où la température ambiante est supérieure à 43,3 °C (110 °F).
- **Ne pas installer sur des canalisations d'eau chaude.** La température de service maximale de l'eau de ce système de filtrage est 37,8 °C (100 °F).
- **Ne pas installer** si la pression d'eau est supérieure à 862 kPa (125 psi). Il faudra installer un limiteur de pression d'eau si la pression d'eau est supérieure à 552 kPa (80 psi). Communiquer avec un plombier qualifié si vous êtes incertain de la méthode de vérification pour votre pression d'eau.
- **Ne pas installer** à un endroit sujet aux coups de bélier. Un antibélier doit être installé en présence de coups de bélier. Communiquer avec un plombier qualifié si vous êtes incertain de la méthode de vérification de cette condition.
- **Ne pas** utiliser de chalumeau ou autres sources élevées de chaleur près du système de filtrage, cartouches, adaptateurs et plomberie en plastique.
- Ne jamais utiliser de produit d'étanchéité ou d'enduit d'enrobage pour tuyau sur les adaptateurs en plastique. Utiliser **uniquement** un ruban de polytétrafluoroéthylène (PTFE) pour filet pour éviter la détérioration du plastique occasionné par l'enduit d'enrobage.
- Utiliser soigneusement les pinces ou les clés à tuyau pour serrer les adaptateurs pour éviter tout dommage occasionné par un serrage excessif.
- **Ne pas** installer directement sous les rayons solaires ou à l'extérieure.
- Fixer le système de manière à éviter les chocs provoqués par d'autres articles utilisés dans la zone d'installation.
- S'assurer que l'emplacement et les pièces de fixation supportent le poids du système lorsqu'il est installé et rempli d'eau.
- S'assurer que toute la tuyauterie et les adaptateurs sont sécurisés et exempts de fuites.
- **METTRE LA SOURCE D'ALIMENTATION OU D'ESSENCE DU CHAUFFE-EAU HORS TENSION** après avoir coupé l'eau.

AVIS

- Lorsqu'un dispositif de prévention de retour d'eau est installé sur un réseau d'alimentation en eau, la dilatation thermique doit être réglée par l'installation d'un dispositif de réglage de pression. Communiquez avec un plombier professionnel pour toute incertitude concernant le choix, l'installation ou l'entretien d'un dispositif de dilatation thermique.
- Lorsque qu'une pompe de gavage est installée sur un réseau d'alimentation en eau, vous devez régulièrement entretenir et contrôler le pressostat joint conformément aux instructions du fabricant. Communiquez avec un plombier professionnel pour toute incertitude concernant l'entretien de votre système de pompe de suralimentation.
- Lorsque qu'une pompe de suralimentation est installée sur un système de distribution d'eau, vous devez installer une soupape de décharge de pression adaptée. La soupape de décharge de pression doit être entretenue et contrôlée tous les six mois. Communiquez avec un plombier professionnel pour toute incertitude concernant le choix, l'installation ou l'entretien d'une soupape de décharge de pression.
- Lorsque qu'une pompe de suralimentation est installée sur un réseau d'alimentation en eau, vous devez installer une vanne de régulation de la pression et réguler la pression de l'eau jusqu'à 80 psi. Communiquez avec un plombier professionnel pour toute incertitude concernant le choix, l'installation ou l'entretien d'une vanne de régulation de la pression.

Pour réduire le risque de fuite d'eau ou d'inondation, et pour garantir une filtration optimale:

- **Changez la cartouche filtrante jetable tous les six (6) mois** ou plus tôt en cas de réduction notable du débit de l'eau.
- Le non remplacement de la cartouche filtrante jetable aux fréquences indiquées est susceptible d'engendrer une réduction de la filtration et des fissures sur le boîtier du filtre, entraînant des fuites ou une inondation.
- Pour toute question ou tout doute, merci de communiquer avec le Service clientèle au 1 800 222 7880.

REMARQUES IMPORTANTES

- Ne pas se conformer à ces directives pourrait annuler la garantie.
- Laisser un espace libre d'au moins 5.1 cm (2 po) sous le filtre pour faciliter le changement de la cartouche.
- Installer avec les orifices d'entrée et de sortie aux endroits indiqués sur l'étiquette. S'assurer de ne pas intervertir les raccordements.

DÉMARRAGE

Outils et pièces nécessaires (non compris) :

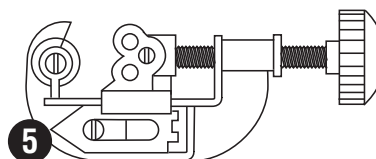
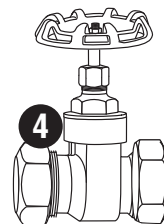
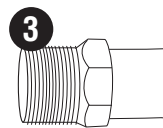
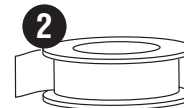
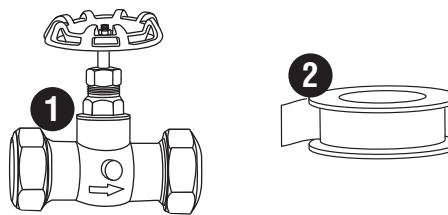
- 1) Un robinet d'arrêt limiteur de suralimentation de 3/4 po (type à compression)
- 2) Ruban de PTFE
- 3) Deux adaptateurs de raccord mixte 3/4 mâle po x 3/4 po
- 4) Un robinet-vanne d'arrêt à compression de 3/4 po
- 5) Coupe-tuyau

Identifier toutes les pièces représentées dans le schéma. Lire avec soin toutes les directives avant de commencer l'installation. Le robinet d'arrêt déjà en place demeure et sert toujours à couper l'eau froide.

Ce filtre comporte des raccords de 3/4 po. Le filtre AP430SS peut s'adapter pour convenir à différentes tailles de tuyaux à l'aide d'un adaptateur de réduction à l'entrée et à la sortie. Les raccords d'installation peuvent être soudés ou filetés. Utiliser des raccords galvanisés pour installer sur des tuyaux galvanisés.

REMARQUES IMPORTANTES

- Laisser un espace libre d'au moins 5,1 cm (2 po) sous le filtre pour faciliter le changement de la cartouche.



DIRECTIVES D'INSTALLATION IMPORTANTES

Avant de commencer l'installation, couper l'alimentation principale et vidanger les tuyaux. Couper l'alimentation en électricité ou en carburant du chauffe-eau après avoir coupé l'approvisionnement en eau.

1. Enrouler du ruban de PTFE autour des raccords filetés des adaptateurs et visser aux deux extrémités de la tête de la cartouche. **Ne pas** utiliser de garniture d'étanchéité ni d'enduit d'enrobage, car ils contiennent des solvants qui peuvent endommager les raccords. (figure 1).
Placer la flèche indiquant le sens du débit dans le bon sens sur la tête du filtre. La flèche de la tête du filtre doit pointer en direction du chauffe-eau.
2. Installer les raccords à compression sur la tête de la cartouche à l'aide des adaptateurs, sans resserrer. En maintenant en place la tête de la cartouche munie des adaptateurs vis-à-vis du tuyau, indiquer la longueur de tuyau à retirer. Couper la canalisation à l'aide du coupe-tuyau. (figure 2).
3. À l'aide du raccord à compression de la valve, fixer le robinet de décharge au tuyau du chauffe-eau (avant le système, du côté de l'eau froide), en pointant la flèche d'indication vers l'assemblage AP430SS, de façon à ce que l'écrou de vidange soit accessible pour relâcher la pression au moment de changer la cartouche.

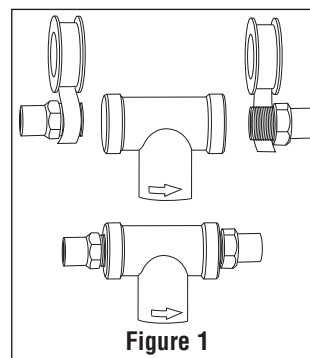


Figure 1

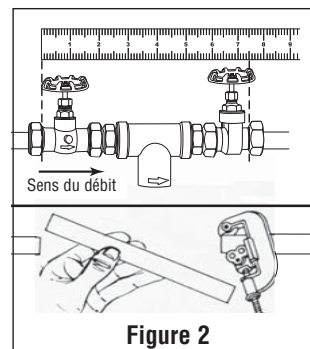


Figure 2

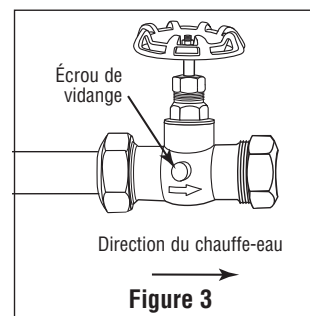


Figure 3

AVIS

Pour réduire les risques associés aux dommages à la propriété occasionnés par les fuites d'eau ou inondation :

- **Ne pas installer sur la canalisation d'alimentation en eau chaude.** La température maximum de fonctionnement permise pour ce système de filtration est de 37,8°C (100°F).
- L'installation et l'utilisation **DOIVENT** être conformes à tous les codes gouvernementaux et de plomberie.
- Ne pas utiliser de garniture d'étanchéité ou d'enduit d'enrobage avec les raccords de plastique. Utiliser **uniquement** du ruban d'étanchéité PTFE, car les composants de l'enduit d'enrobage sont susceptibles de détériorer le plastique.
- **Ne pas** utiliser de torche ou d'autres appareils dégageant beaucoup de chaleur près du système de filtration, des cartouches, des raccords ou de la tuyauterie en plastique.
- S'assurer que l'emplacement et les attaches sont adéquats pour supporter le poids du système.
- S'assurer que tous les tuyaux et raccords sont solides et exempts de fuites.
- **COUPER L'ALIMENTATION EN ÉLECTRICITÉ OU EN CARBURANT DU CHAUFFE-EAU APRÈS AVOIR COUPÉ L'APPROVISIONNEMENT EN EAU.**

DIRECTIVES D'INSTALLATION IMPORTANTES (suite)

4. Fixer le robinet-vanne à l'arrivée de la canalisation d'alimentation à l'aide du raccordement à compression. Bien resserrer l'écrou de serrage. (figure 4).

REMARQUES IMPORTANTES

Il peut être nécessaire d'écartier légèrement les extrémités des canalisations afin de pouvoir insérer le module de tête de l'AP430SS dans la soupape.

5. Bien resserrer tous les écrous de serrage, en maintenant le module de tête de l'AP430SS à la verticale. (figure 5).

6. Visser la cartouche vers la droite dans la tête du filtre de l'AP430SS. Ouvrir la canalisation d'alimentation principale, ouvrir les robinets et vérifier tous les joints pour repérer les fuites. (figure 6).

REMARQUES IMPORTANTES

Une section de contournement peut être installée autour du module si désiré, à l'aide de raccords filetés ou soudés. (figure 7)

AVIS

Pour réduire les risques associés aux dommages à la propriété occasionnés par les fuites d'eau ou inondation :

- **Protéger du gel** et retirer la cartouche si la température ambiante doit descendre sous les 4,4°C (40°F).
- S'assurer que tous les tuyaux et raccords sont solides et exempts de fuites.
- **Ne pas installer** sur une conduite d'eau dont la pression est supérieure à 862 kPa (125 psi). Si la pression est supérieure à 552 kPa (80 psi), il est nécessaire d'installer une soupape de limitation de pression. En cas de doute sur la manière de vérifier la pression de l'eau, communiquer avec un plombier.
- **Ne pas installer** là où des coups de bélier peuvent se produire. S'il se produit des coups de bélier, il est nécessaire d'installer un dispositif antibélier. En cas de doute sur la manière de vérifier cette situation, communiquer avec un plombier.

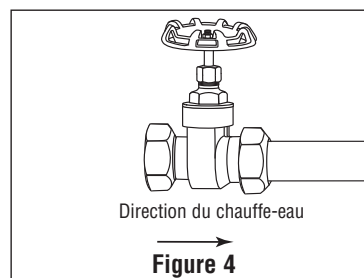


Figure 4

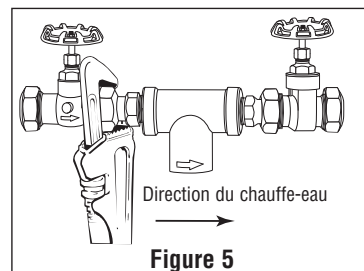


Figure 5

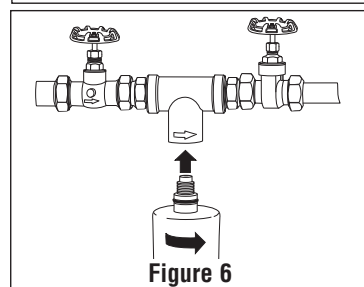


Figure 6

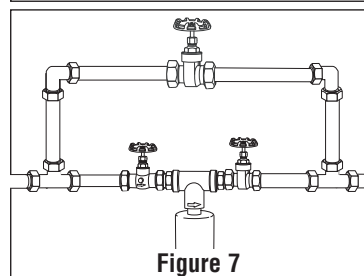


Figure 7

DIRECTIVES DE REMPLACEMENT DE LA CARTOUCHE FILTRANTE

AVIS

Pour réduire le risque de fuite d'eau ou d'inondation, et pour garantir une filtration optimale:

- La cartouche jetable doit être remplacée au moins tous les 6 mois.
- Le non remplacement de la cartouche filtrante jetable aux fréquences indiquées est susceptible d'engendrer une réduction de la filtration et des fissures sur le boîtier du filtre, entraînant des fuites ou une inondation.

Conserver toujours des cartouches de rechange en réserve.

1. Fermer les valves d'entrée (robinet de décharge) et de sortie (robinet-vanne). Pour relâcher la pression dans le système AP430SS, ouvrir le drain de la valve d'entrée.
2. Dévisser la cartouche (AP431) en la tournant vers la gauche tel qu'illustré (figure 8).
3. Installer la nouvelle cartouche et resserrer modérément à la main. Ne jamais utiliser d'outils pour resserrer la cartouche.
4. Ouvrir la soupape d'alimentation et évacuer l'air par le dispositif de vidange du robinet-vanne jusqu'à ce l'arrivée de l'eau. Refermer le robinet de vidange et ouvrir la sortie d'eau.

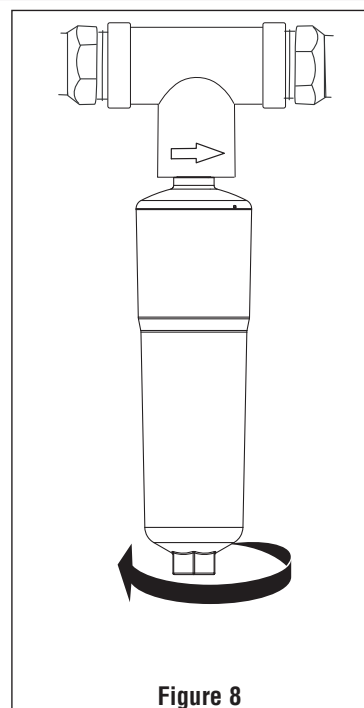
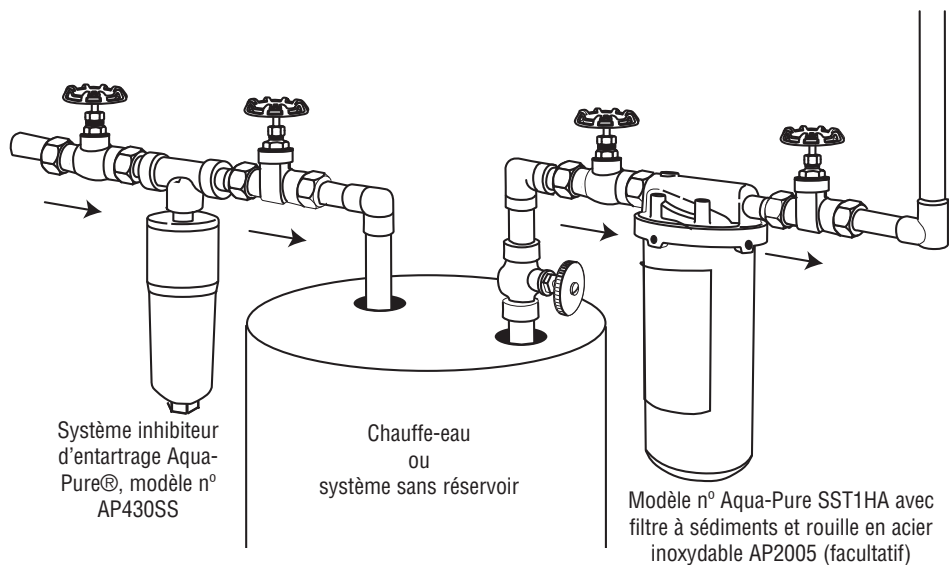


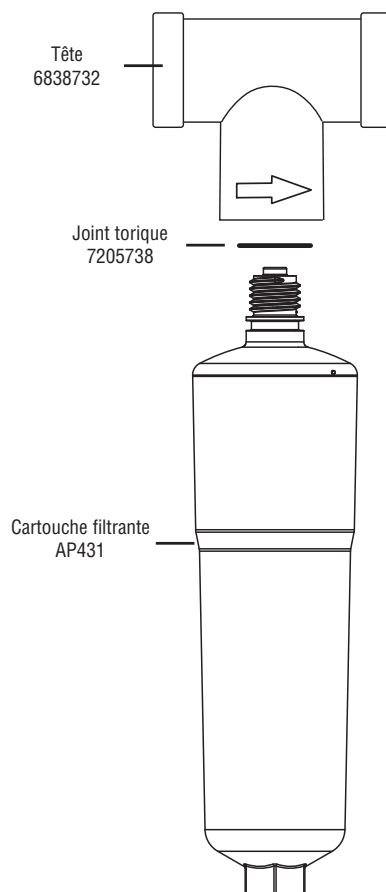
Figure 8

REMARQUES IMPORTANTES

Si ce système inhibiteur d'entartrage AP430SS est installé sur une canalisation d'eau froide alimentant un chauffe-eau qui contient déjà des dépôts de tartre, il est possible que du tartre se détache et circule en aval pour bloquer les soupapes et brise-jet. En de tels cas, il est nécessaire d'installer un filtre à sédiments et rouille en acier inoxydable à la sortie d'eau chaude pour recueillir et retenir ce tartre.



PIÈCES DE RECHANGE



GARANTIE LIMITÉE

La garantie limitée de 3M Purification Inc. garantit que la tête en acier inoxydable (excluant les cartouches filtrantes jetables) sera exempte de défauts dans son matériel et sa fabrication pour une période de vingt-cinq (25) ans à compter de la date d'achat. La cartouche filtrante jetable est protégée par la garantie de toutes défauts dans son matériel et sa fabrication pour une période d'un (1) an à compter de la date d'achat. Cette garantie ne couvre pas les défauts occasionnés par une utilisation abusive ou le mésusage, l'altération ou le dommage non occasionné par 3M Purification, Inc. ou le défaut de respecter les instructions d'installation et d'utilisation. Aucune garantie n'est fournie pour la durée de vie utile de toute cartouche filtrante ou membrane à cause des conditions d'eau locales ou des quantités d'eau consommées. **3M PURIFICATION, INC. N'OFFRE AUCUNE AUTRE GARANTIE OU CLAUSE EXPLICITE OU IMPLICITE, Y COMPRIS, MAIS SANS S'Y LIMITER, TOUTE GARANTIE OU CLAUSE IMPLICITE DE QUALITÉ MARCHANDE OU D'ADAPTATION À UN USAGE PARTICULIER, OU TOUTE GARANTIE OU CLAUSE IMPLICITE DÉCOULANT DE LA CONDUITE DES AFFAIRES, DES PRATIQUES COURANTES ET DES USAGES DU COMMERCE.** Si un défaut du Produit survient pendant la période couverte par la garantie limitée, 3M Purification, Inc. remplacera le produit ou remboursera le prix d'achat du Produit. Cette garantie ne couvre pas la main d'oeuvre. **La voie de recours indiquée dans ce paragraphe est la seule voie de recours disponible au Client, et l'obligation exclusive de 3M.**

Il est possible que l'utilisateur ait d'autres droits à cet égard, lesquels peuvent varier d'une province à une autre ou d'un pays à un autre. Pour toutes questions au sujet de la garantie, veuillez composer le 1-877-238-9119 ou poste votre demande à : Warranty Claims, 3M Purification Inc., 400 Research Parkway, Meriden, CT 06450. Une preuve d'achat (facture originale) doit accompagner la réclamation au titre de la garantie, de même qu'une description complète du produit, le numéro de modèle et le défaut allégué.

Limite de responsabilité. 3M Purification, Inc. n'est pas responsable pour toute perte ou tout dommage direct, indirect, particulier, accessoire ou accidentel suivant l'utilisation de ces Produits, peu importe l'affirmation de théorie juridique, y compris la violation de la garantie, la responsabilité contractuelle, la négligence ou la responsabilité stricte. Certaines provinces et certains pays ne permettent pas l'exclusion ou la limitation de responsabilité pour les dommages fortuits ou conséquents. Dans un tel cas, la clause d'exclusion ou de limitation ci-dessus ne s'applique pas.



3M Purification Inc.
400 Research Parkway
Meriden, CT 06450 USA

Toll Free: 1-800-222-7880
Worldwide: 203-237-5541
Fax: 203-238-8701
www.3mpurification.com • www.aquapure.com

© 2014 3M Company. All rights reserved.
3M and Aqua-Pure are trademarks of 3M Company.
34-8715-6240-0